

FDV

  
WW CW DL  
Color changeable



# BA Mira

## ML01

**BA**  
LIGHTING

# Introduction



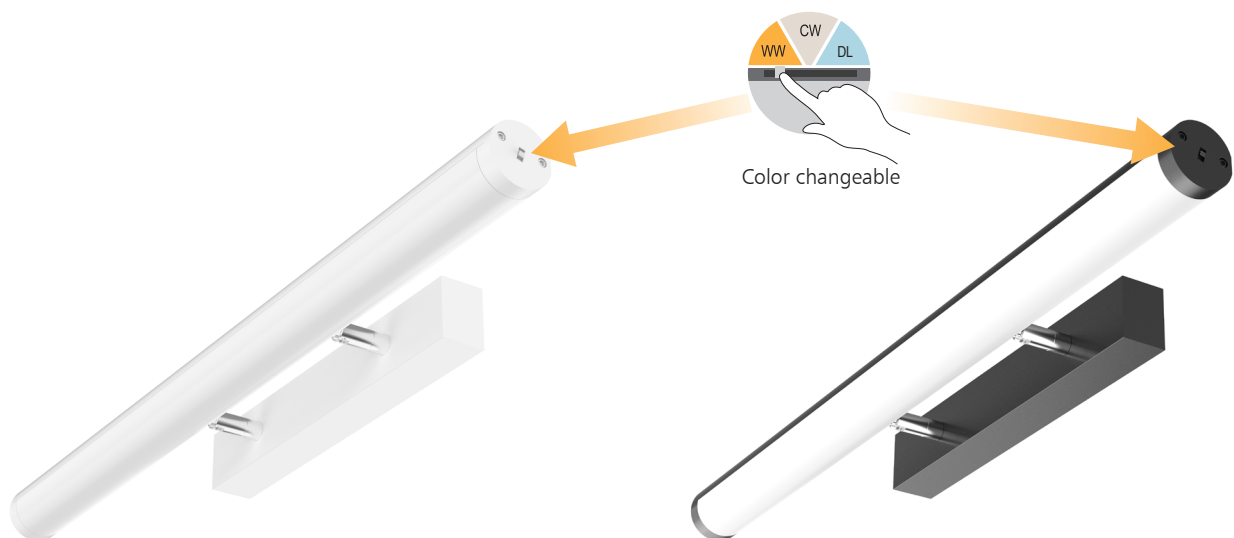
◀ ML01 Mirror light adopts high transmittance PC lampshade; With concise and elegant design, perfect details to create a sense of stylish.

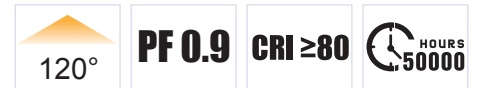
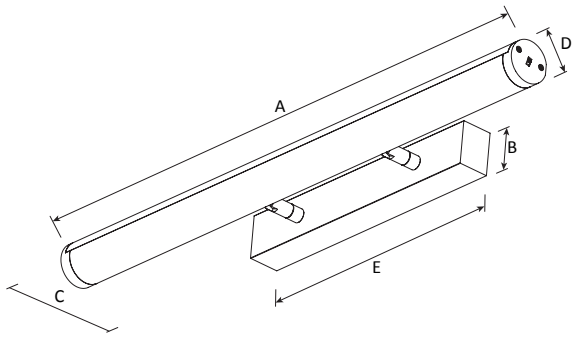
## Features

1. High lumen SMD LED with 110lm/W light effect.
2. Multiple finish color for option(Brush Nickel, Chrome plated, Matt Black).
3. Convenient installation and disassembling.
4. Interchangeable CCT by slide switch.

## Application Areas

Hotel, Shopping mall, home, restanrant, etc





## Measurement

Model	Dimension(mm)					Size(mm)	Product Weight (Kg)		Package weight (Kg)		Carton Size(cm)	Qty/CTN	20GP (pcs)	40HQ (pcs)
	A	B	C	D	E		N.W/PC	G.W/PC	N.W/CTN	G.W/CTN				
ML01-580	580	41	111	40	285	580*41*111	0.66	0.77	7.92	10.5	63*39.5*22	12	6240	15120
ML01-860	860	41	111	40	440	860*41*111	0.87	1.035	10.44	13.8	91*39.5*22	12	4080	10080
ML01-1140	1140	41	111	40	560	1140*41*111	1.03	1.295	12.36	17.2	119*39.5*22	12	2640	6768

## Technical Data Sheet

Model No.	ML01-580-10W		ML01-860-15W		ML01-1140-20W	
Watt(W)	10W		15W		20W	
Dimension(mm)	580*41*111		860*41*111		1140*41*111	
Rated Input Voltage(V)	AC100-240V					
Input Voltage(V)	AC85-265V					
LED	SMD					
SDCM	<6					
CCT(K)	1-CCT: 3000K / 4000K / 5000K / 5700K    3-CCT: 3000K + 4000K + 5700K					
"Luminous Flux (lm) ±5%	1-CCT	Non-DIM	1040~1180	1400~1845	2100~2300	
		DIM	-	-	-	
	3-CCT	Non-DIM	1020~1150	1400~1950	2100~2430	
		DIM	-	-	-	
CRI	≥80					
Beam Angle (°)	120°					
UGR	-					
LED Driver	Built-in					
DIM	-					
CCT Selection Switch	Yes					
Protection Class	Class II					
IP Rating	IP40					
IK Rating	IK08					
Finishing color	White RAL 9016					
Material	AL+PC					
Lifetime (hr)	50,000h					
Glow wire test (°C)	750°C					
Operating Temp.(°C)	-20°C ~45°C					
Storage Temp.(°C)	-20°C ~65°C					
Installation	Wall mount					
Brand Driver option	-					

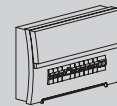
## Driver Datasheet ( Non-Dimmable )

Power	10W	15W	20W
Rated Input Voltage(V)	AC100-240V		
Frequency	50/60Hz		
Input Voltage	AC85-265V		
Efficiency	82%	85%	85%
Total load wattage	10W±1W	15W±5%	20W±5%
Power Factor	0.9		
Rated Input Current	≤0.11A	≤0.17A	≤0.22A
Full load output voltage	DC24-40V	DC24-40V	DC24-40V
Rated output current	250mA	350mA	490mA
Output current range	250mA±5%	350mA±5%	490mA±5%
Power tolerance	±5%		
Current output tolerance	±5%		
Short circuit protection	PASS		
Over voltage protection	PASS		
Over temperature protection	PASS		
THD	≤20% @ 230VAC		
Surge	L-N 500V		
Withstand voltage	AC3750V		

## Installation Procedure

### WARNING

1. Switch off before installation.
2. Switch on only after complete installation and examination of the circuit.
3. Professional electrician for installation and maintenance only.

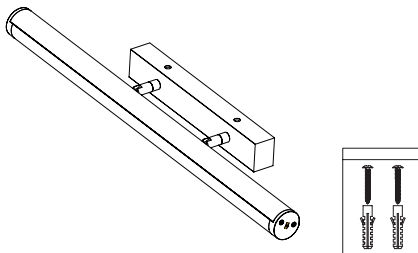


**Turn Off  
Power Supply**

Turn Off power supply before starting any installation. Read instructions & check you have all the tools & accessories to complete the installation correctly.

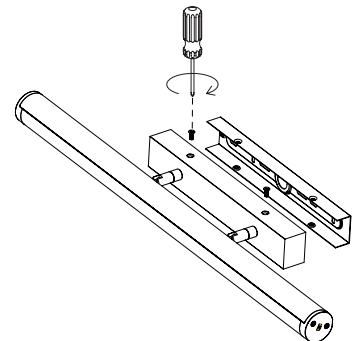
### Installation

#### Step 1



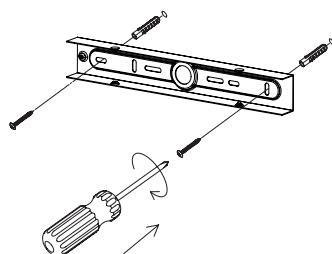
Take out ceiling light and accessory pack from box.

#### Step 2



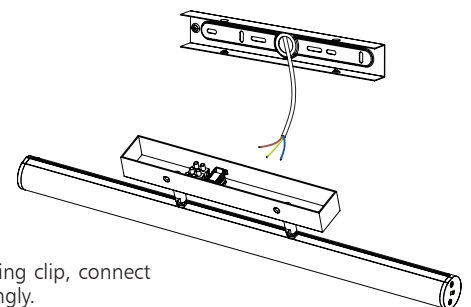
Take out the bracket.

#### Step 3



Knock the plastic anchor into ceiling.  
Fix bracket with screw on the ceiling.

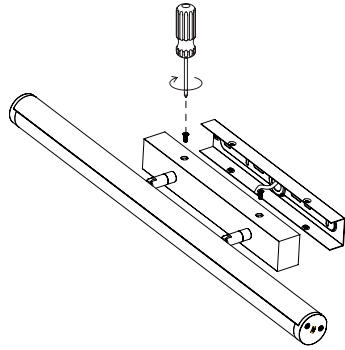
#### Step 4



Remove the line pressing clip, connect the wires correspondingly.

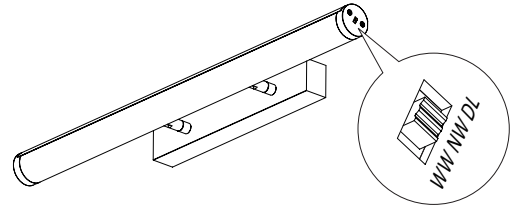
---

Step 5



Fix the lamp on the bracket .

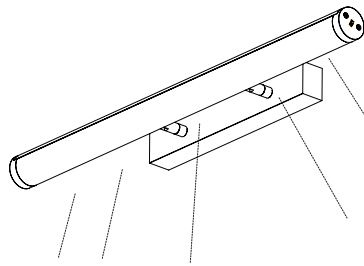
Step 6



Slide the preferred CCT before turn on the lamp.

---

Step 7



Switch on.

