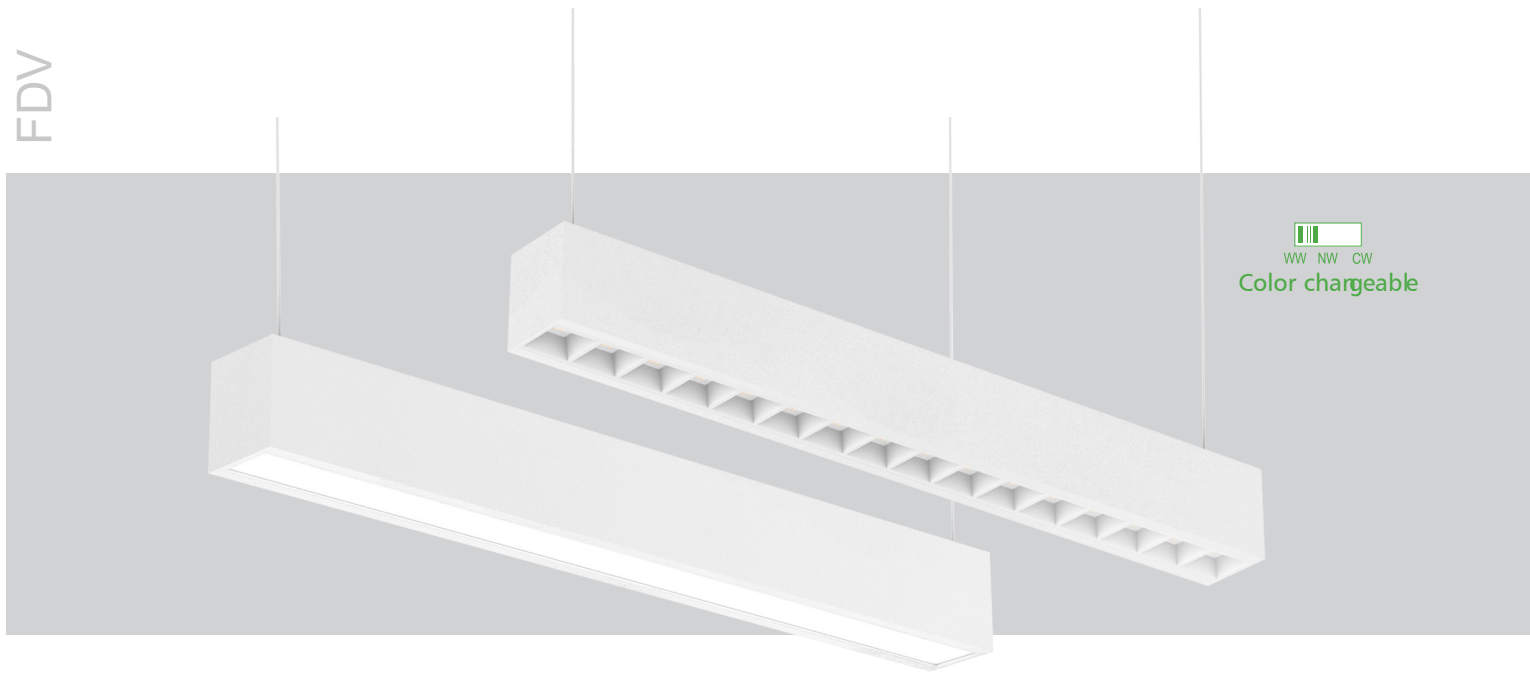


FDV



BA- Lighting AS FDV

BA Linnea Batten Light

Introduction



◀ DB45 is a module changeable design LED batten, provide good heat dissipation, quality light and substantial energy and maintenance savings. Varies module (reflector type and diffuser type) can meet different requirements. Suspended , surface mounted and splicing installation optional. The process of installing and maintaining is so easy.

Features

1. Module changeable, with easy installation and maintenance
2. Module type optional (type A reflector design, Type B diffuser design)
3. Color temperature switchable by DIP switch
3. Splicing design

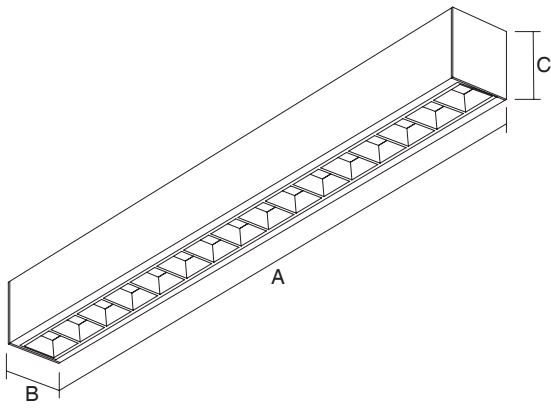
Application Areas

It is mainly used for traditional suspended installation such as workshop, utility rooms, garages and more.



Type A

Type B



Measurement

Model	Dimension(mm)			Size(mm)	Product Weight (Kg)		Package weight (Kg)		Carton Size(cm)	Qty/CTN	20GP (pcs)	40HQ (pcs)
	A	B	C		N.W/PC	G.W/PC	N.W/CTN	G.W/CTN				
600	604	60	70	604*60*70	1.15	1.65	13.8	21	66.5*30*26.5	12	5472	14280
1200	1204	60	70	1204*60*70	2.2	3	13.2	20	125.5*23*17	6	3024	7290

Technical Data Sheet

Model No.	DB45A-600-20W		DB45B-600-20W		DB45A-1200-40W		DB45B-1200-40W	
Watt(W)	20W				40W			
Dimension(mm)	604*60*70				1204*60*70			
Rated Input Voltage(V)	AC230V							
Input Voltage(V)	AC200-240V							
LED	SMD							
SDCM	-							
CCT(K)	1-CCT: 3000K / 4000K / 5000K / 5700K 3-CCT: 3000K + 4000K + 5700K							
"Luminous Flux (lm) ±5%"	1-CCT	Non-DIM	2400~2500	2200~2400	4800~5200	4000~4800		
		DIM	-	-	-	-		
	3-CCT	Non-DIM	2150~2400	2150~2400	4400~4800	4400~4800		
		DIM	-	-	-	-		
CRI	>80							
Beam Angle (°)	100°							
LED Driver	Built-in							
DIM	NO							
CCT Selection Switch	Yes							
Protection Class	Class I							
IP Rating	IP20							
IK Rating	-							
Finishing color	White RAL 9016							
Material	PC / Aluminium							
Lifetime (hr)	50,000h							
Glow wire test (°C)	650°C							
Operating Temp.(°C)	-							
Storage Temp.(°C)	-							
Installation	Surface mount / Pendant							
Brand Driver option	Philips, Tridonic, Meanwell							

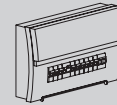
Driver Datasheet(Non-dimmable)

Power	20W	20W-C3	40W	40W-C3
Rated Input Voltage(V)	AC230V			
Frequency	50/60Hz			
Input Voltage	AC200-240V			
Efficiency	≥85%		≥87%	≥85%
Total load wattage	20W±1W		40W±5%	40W±5%
Power Factor	0.9			
Rated Input Current	≤0.13A		≤0.25A	≤0.25A
Full load output voltage	DC24-40V		DC24-40V	DC28-40V
Rated output current	500mA		1050mA	1000mA
Output current range	500mA±5%		1050mA±5%	1000mA±5%
Power tolerance	±5%			
Current output tolerance	±5%			
Short circuit protection	PASS			
Over voltage protection	PASS			
Over temperature protection	PASS			
THD	≤20% @ 230VAC			
Surge	-			
Withstand voltage	AC3750			

Installation Procedure

WARNING

1. Switch off before installation.
2. Switch on only after complete installation and examination of the circuit.
3. Professional electrician for installation and maintenance only.

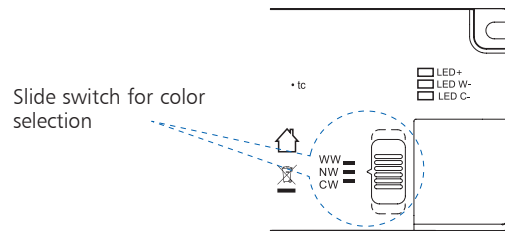


**Turn Off
Power Supply**

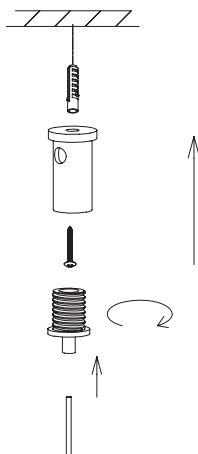
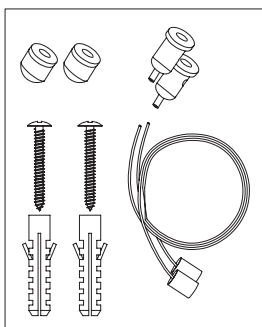
Turn Off power supply before starting any installation. Read instructions & check you have all the tools & accessories to complete the installation correctly.

Suspended:

For the product with Slide Switch of Color Selection, please select the light color (CW/NW/WW) before installation.

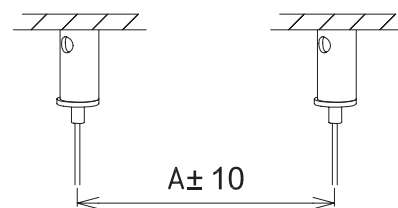


Step 1



Fix the holders of suspending ropes on the ceiling.

Step 2

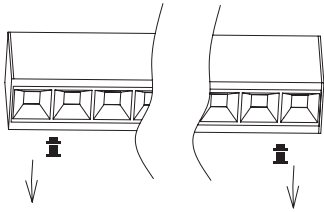


Model	A±10
600mm	580mm
1200mm	1180mm

Keep the proper distance of the 2 pcs suspending ropes as below table.

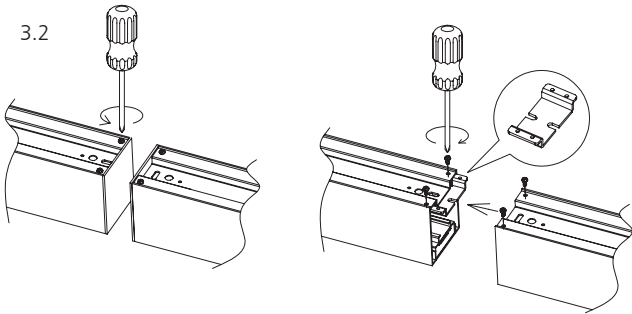
Step 3

3.1



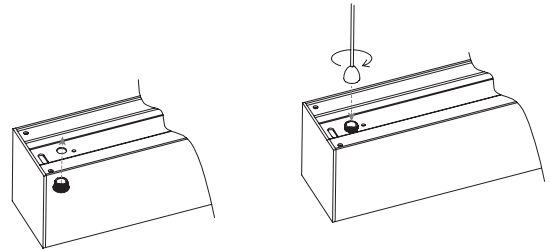
Push the module on both sides which will disconnect the connector, remove the module.

3.2



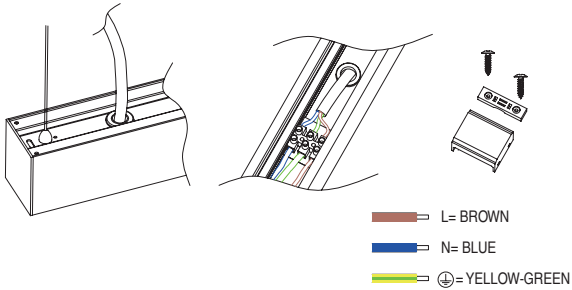
If need to be spliced into series, remove the end cap of each connection side, connect them by connectors and fix by screws.

Step 4



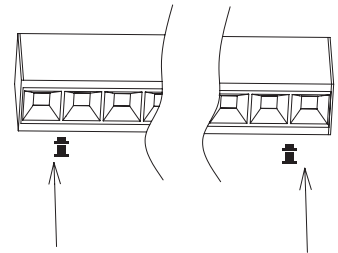
Screw the ropes into the pedestals.

Step 5



Connect the wires, fix the wire fastener by screws.

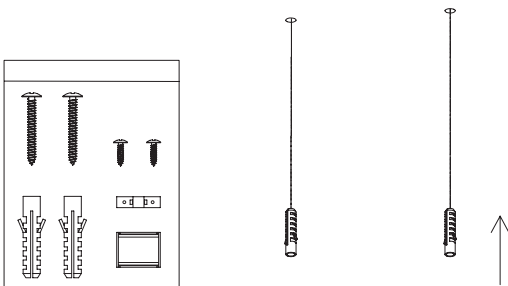
Step 6



Put the module back and push it into the base, turn on the lamp.

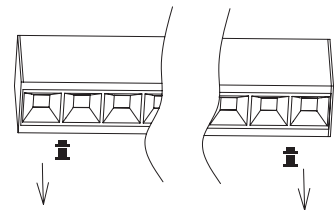
Surface mounted:

Step 1

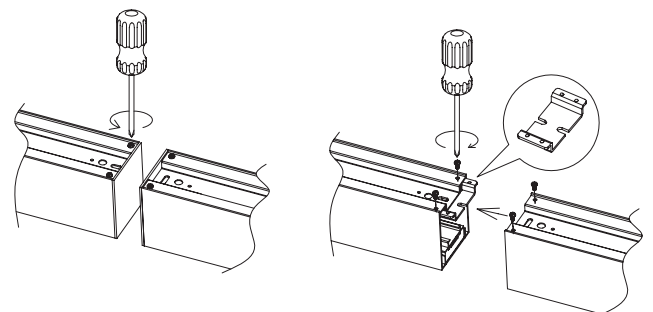


Insert the plastic anchor into the ceiling.

Step 2

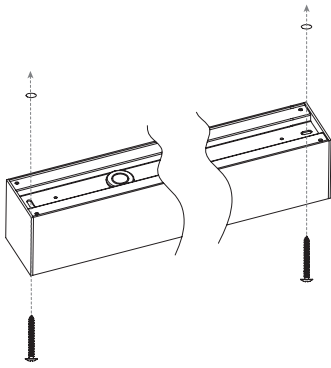


Push the module on both sides which will disconnect the connector, remove the module.



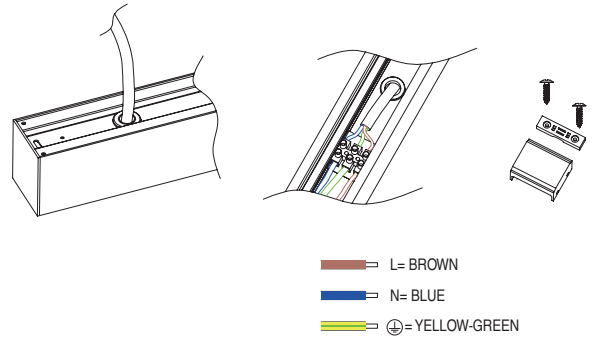
If need to be spliced into series, remove the end cap of each connection side, connect them by connectors and fix by screws.

Step 3



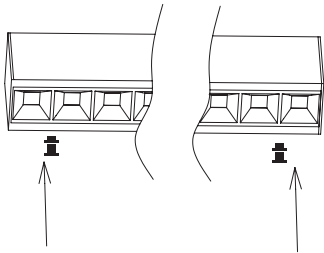
Fix the base on the ceiling.

Step 4



Connect the wires, fix the wire fastener by screws.

Step 5



Put the module back and push it into the base, turn on the lamp.
