

Entry /ECO

Standard /STD

Professional/PRO

ODM & OEM

Intelligent/INT



**PRO**  
Specifications



LED Ceiling Light  
AL99 Series



**BA**  
LIGHTING



## Introduction

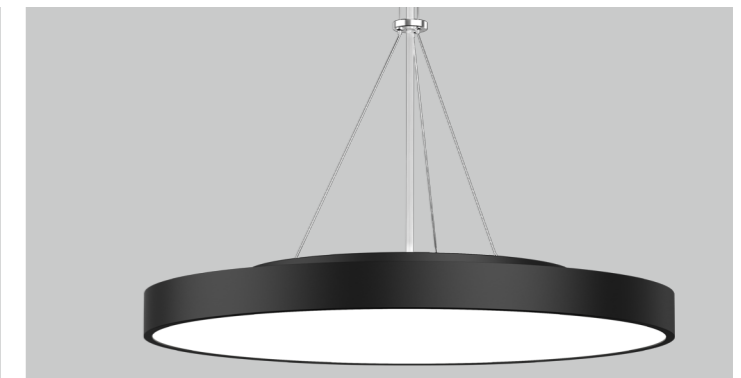
AL99 ceiling light is a big size with up & down lighting design. It's adopted high lumen SMD LED light source, larger lighting area and low glare design make a softer and uniform light output. AL6063 aluminum housing provides an excellent thermal management. Size options: 400mm, 600mm, 800mm, 1000mm. It can do CCT adjustable and wattage adjustable, multiple installation ways available which meets more application demands.

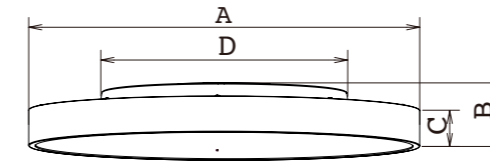
## Features

- High lumen efficiency 110lm/W.
- Interchangeable CCT (3000+4000+5700K/3000+4000K) with slide switch.
- Interchangeable wattage available for all size.
- DALI dimmable available.
- Osram flicker free driver.
- Multiple installation ways: Recessed/Surface mounted/Pendant(With pendant rod suspension, with steel wire suspension, with wire harness suspension. )

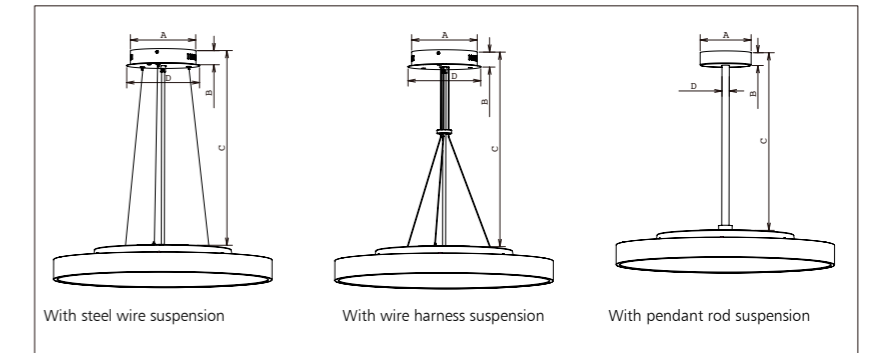
## Application Areas

It is designed for general lighting applications in office, supermarket, shop, school, hotel, etc.





Suspension accessories (Purchase as needed)



## Technical Data Sheet

Code No.	BA5002-AL99-40W	AL99-24-60W	AL99-32-80W	AL99-40-100W		
Dimension(mm)	Ø400*86	Ø600*86	Ø800*86	Ø1000*86		
Cutout (mm)	Ø220~250	Ø385~415				
Watt(W)	40W @max (optional:35W / 37W / 38W / 40W)	60W @max (optional:40W / 45W / 55W / 60W)	80W @max (optional:60W / 65W / 76W / 80W)	adjustable power with resistance 100W @max (optional:40W-100W)		
Rated Input Voltage(V)	220-240V					
Input Voltage(V)	198-264V					
LED Module Input	-					
Light Source	SMD					
SDCM	<6 (@3000K 4000K 5000K)					
CCT(K)	1-CCT: 3000K/4000K/5000K/5700K    3-CCT: 3000K + 4000K + 5700K					
CCT Selection DIP Switch	YES					
Luminous Flux (lm) ±5%	Non-DIM	1-CCT	@35W 3300-3900	@40W 3700-4480	@60W 5200-6400	@80W 7200-8500
			@40W 3600-4200	@60W 5700-6660	@80W 7000-8400	@100W 8800-10700
	DIM	3-CCT	@40W 3800-4300	@60W 5700-6660	@80W 7000-8400	@100W 8800-10700
			@35W 3300-3900	@40W 3700-4490	@60W 5200-6400	@80W 7200-8500
@40W 3600-4200	@60W 5700-6700	@80W 7000-8400	@100W 8800-10700			
@40W 3800-4300	@60W 5700-6660	@80W 7000-8400	@100W 8800-10700			
CRI	≥80					
Beam Angle (°)	120°					
UGR	-					
LED Driver	Built-in					
Dimming Option	DALI					
Sensor	NO					
Emergency Kits	NO					
Electrical Class	Class I					
Ingress Protection (IP Rating)	IP40					
Impact Resistance (IK Rating)	-					
Product Finishing(Base)	White RAL 9016/Black RAL 9005					
Materials of Optics	PS					
Materials of Housing	Aluminum					
Lifetime (hr)	50,000h					
Glow wire test (°C)	650°C					
Operating Temp. (°C)	-20°C ~40°C					
Storage Temp. (°C)	-20°C ~65°C					
Installation	Surface mount / Pendant / Recessed					

## Measurement

Code	Dimension(mm)				Size(mm)	Product Weight (Kg)		Package weight (Kg)		Carton Size(cm)	Qty/CTN	20GP (pcs)	40HQ (pcs)
	A	B	C	D		N.W/PC	G.W/PC	N.W/CTN	G.W/CTN				
AL99-16-40W	400	86	55	219	Ø400*86	3.2	3.8	19.2	25	64.5*46.5*47.5	6PCS	1032	2208
AL99-24-60W	600	86	55	383	Ø600*86	6.9	7.93	13.8	18	68.5*23.5*68.5	2PCS	528	1206
AL99-32-80W	800	86	55	383	Ø800*86	11	13	11	13	85.5*11.5*90.5	1PC	308	672
AL99-40-100W	1000	86	55	383	Ø1000*86	16.2	18.8	16.2	18.8	105.5*11.5*112.5	1PC	210	474
steel wire suspension	180	41	800	200	Ø200*41	0.86	0.9	5.16	6.4	26.5*23*23	4PCS	7488	18700
wire harness suspension	180	41	800	200	Ø200*41	0.86	0.9	5.16	6.4	26.5*23*23	4PCS	7488	18700
pendant rod suspension	140	35	500	10	Ø140*35	0.78	0.9	4.68	6.4	55.5*41.5*44.5	18PCS	4860	11664

## Driver Datasheet (Non-dimmable)

Total load wattage		40W	60W	80W	100W
Output	Output Voltage range	DC30-42V		DC70-217V	
	Rated output current	900mA@ max(optional:800mA / 850mA / 875mA / 900mA)		550mA@Max(optional:350mA / 400mA / 500mA / 550mA)	
	Line Regulation	±7.5%		±5%	
	Setup, Rise Time	-			
	Flickering Index	<3% IEEE1789 NO RISK		<5% IEEE1789 NO RISK	
Input	Input Voltage	198-264V			
	Rated Input Voltage(V)	220-240V			
	Frequency	50/60Hz			
	Input Current	0.23A	0.34A	0.45A	0.56A
	Rated Input Current	0.184A	0.3A	0.36A	0.46A
	Power Factor	0.95	0.98		0.99
	THD	<10% @230V			
	Efficiency	90%	92%		95%
	No load wattage	<0.5W		-	
	Protection	Short circuit protection	Pass		
Over voltage protection		Pass			
Over temperature protection		Pass			
Safety & EMC	Withstand voltage	I/P-O/P: 3.75KVac, <5mA 60S		I/P-FG 1.6KV <5mA 60S	
	Isolation Resistance	I/P-O/P: 500VDC, ≥100M Ω		-	
	Surge	IEC/EN61000-4-5 (P≥25w L-N:1KV, L/N-PE:2KV)			
	EMC Emission	EN55015, EN61000-3-2			
EMC Immunity	EN61000-4-2,3,4,5,6,8,11; EN61547				

# Driver Datasheet (DALI Dimmable )

Total load wattage		40W	60W	80W	100W
Output	Output Voltage range	DC15-54V		DC54-240V	
	Rated output current	900mA	500mA	550mA	700mA
	Line Regulation	±3%			
	Setup, Rise Time	-			
	Flickering Index	<2% IEEE1789 NO RISK		<1% IEEE1789 NO RISK	
Input	Input Voltage	198-264V			
	Rated Input Voltage(V)	220-240V			
	Frequency	50/60Hz			
	Input Current	0.28A	0.34A	0.45A	0.56A
	Rated Input Current	0.28A	0.3A	0.4A	0.47A
	Power Factor	>0.95			
	THD	<10% @220-240V			
	Efficiency	91%		92%	
	No load wattage	not permitted		<0.25W	
	Protection	Short circuit protection	Pass		
Over voltage protection				Pass	
Over temperature protection				Pass	
Safety & EMC	Withstand voltage	I/P-O/P:3.75KVac, <5mA 60S; I/P-FG:1.6KVac, <5mA 60S; O/P-P-FG:0.5KVac, <5mA 60S		I/P-FG-1.6KV <5mA 60S	
	Isolation Resistance	I/P-O/P: 500VDC, ≥100M Ω		-	
	Surge	IEC/EN61000-4-5 (P≥25w L-N:1KV, L/N-PE:2KV)			
	EMC Emission	EN55015, EN61000-3-2			
	EMC Immunity	EN61000-4-2,3,4,5,6,8,11; EN61547			

## Installation Procedure

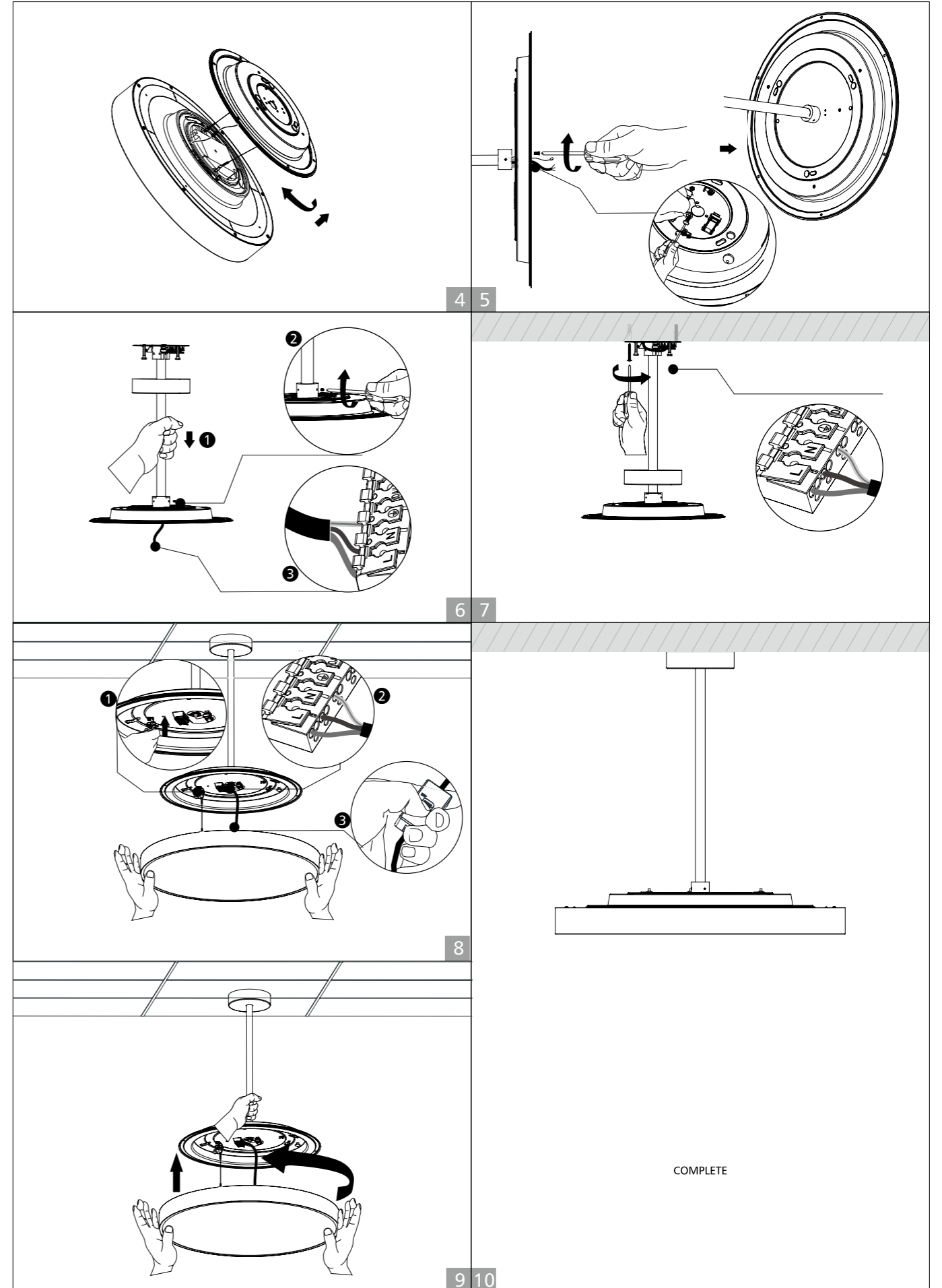
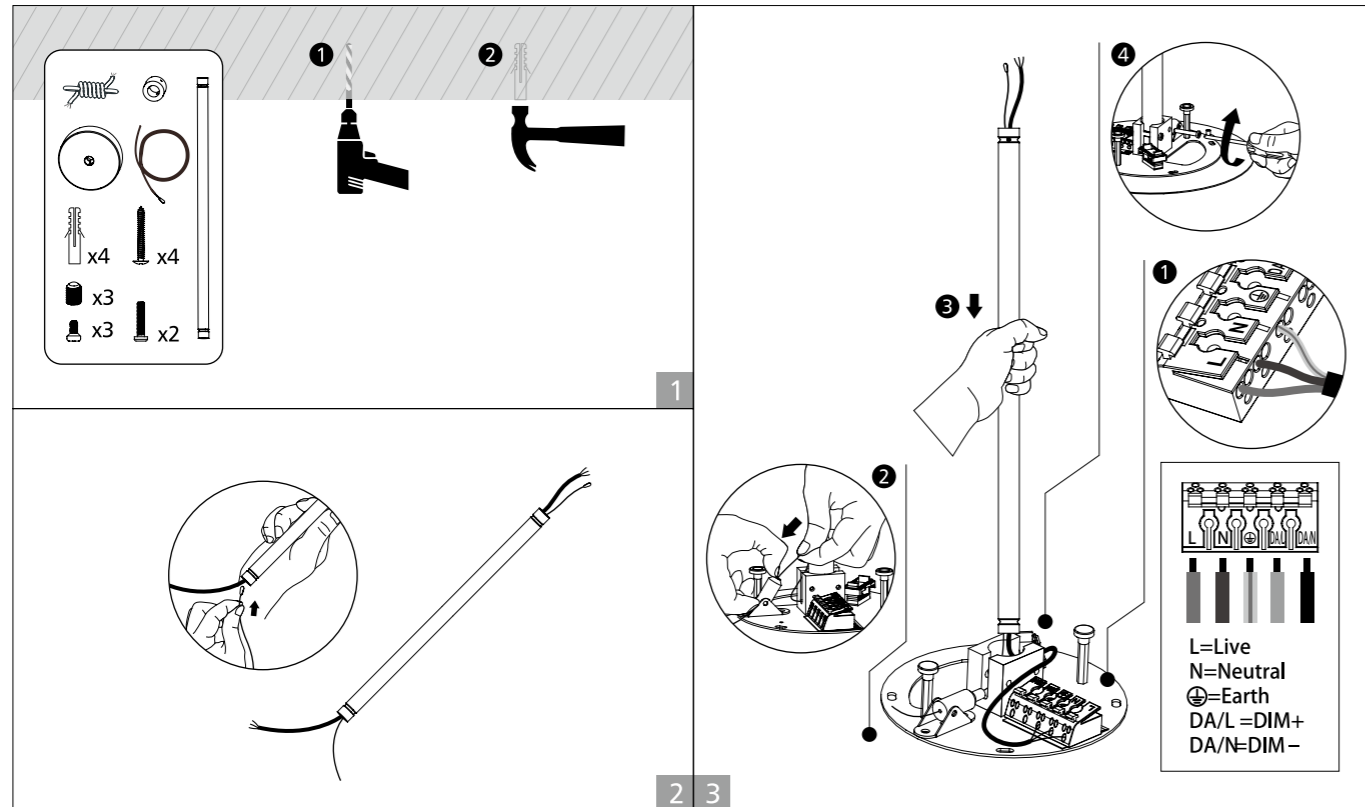
### WARNING

1. Switch off before installation / maintenance.
2. Switch on only after complete installation and examination of the circuit.
3. Professional electrician for installation and maintenance only.

Turn Off power supply before starting any installation. Read instructions & check you have all the tools & accessories to complete the installation correctly.

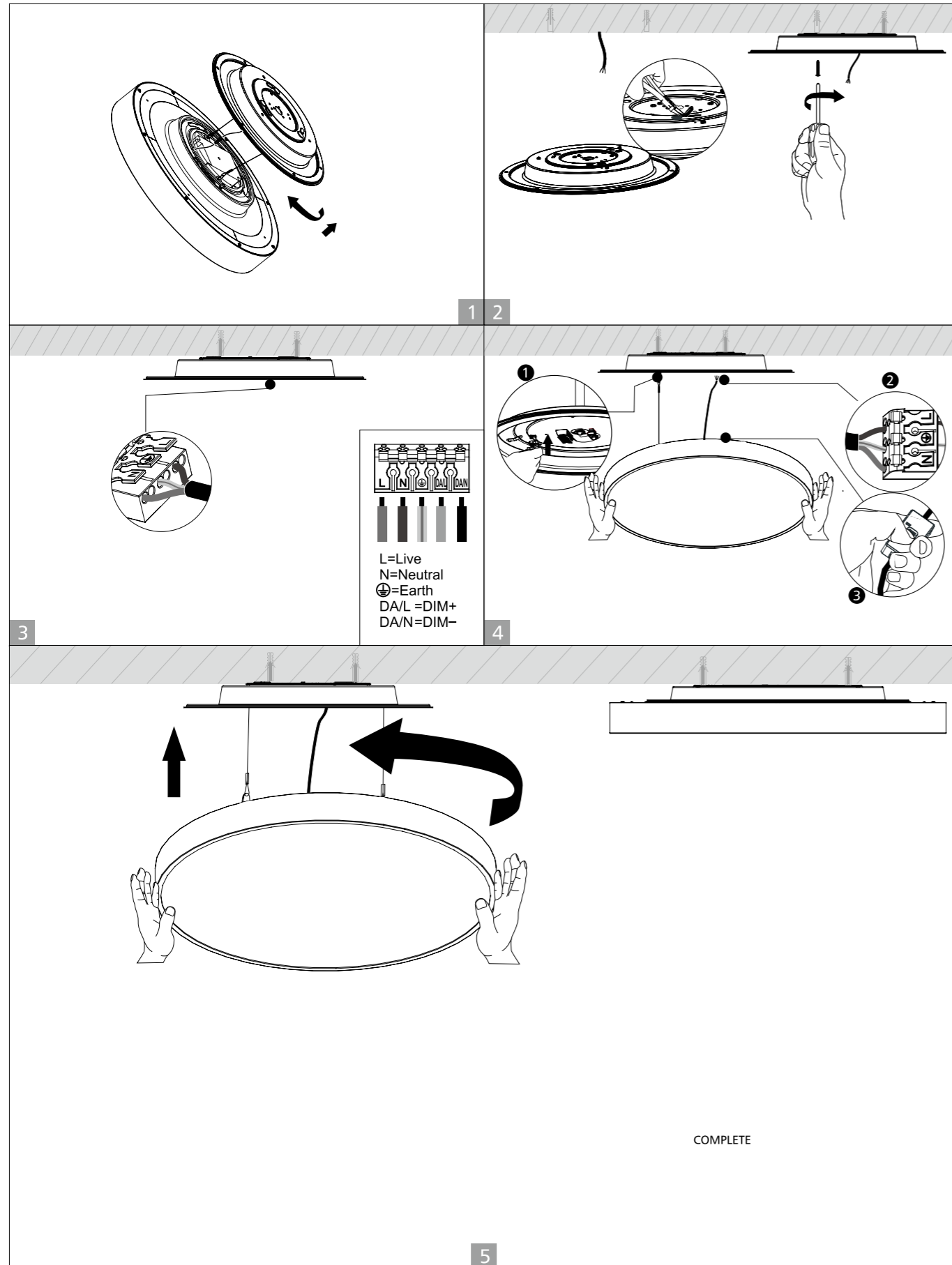


### With pendant rod suspension installation

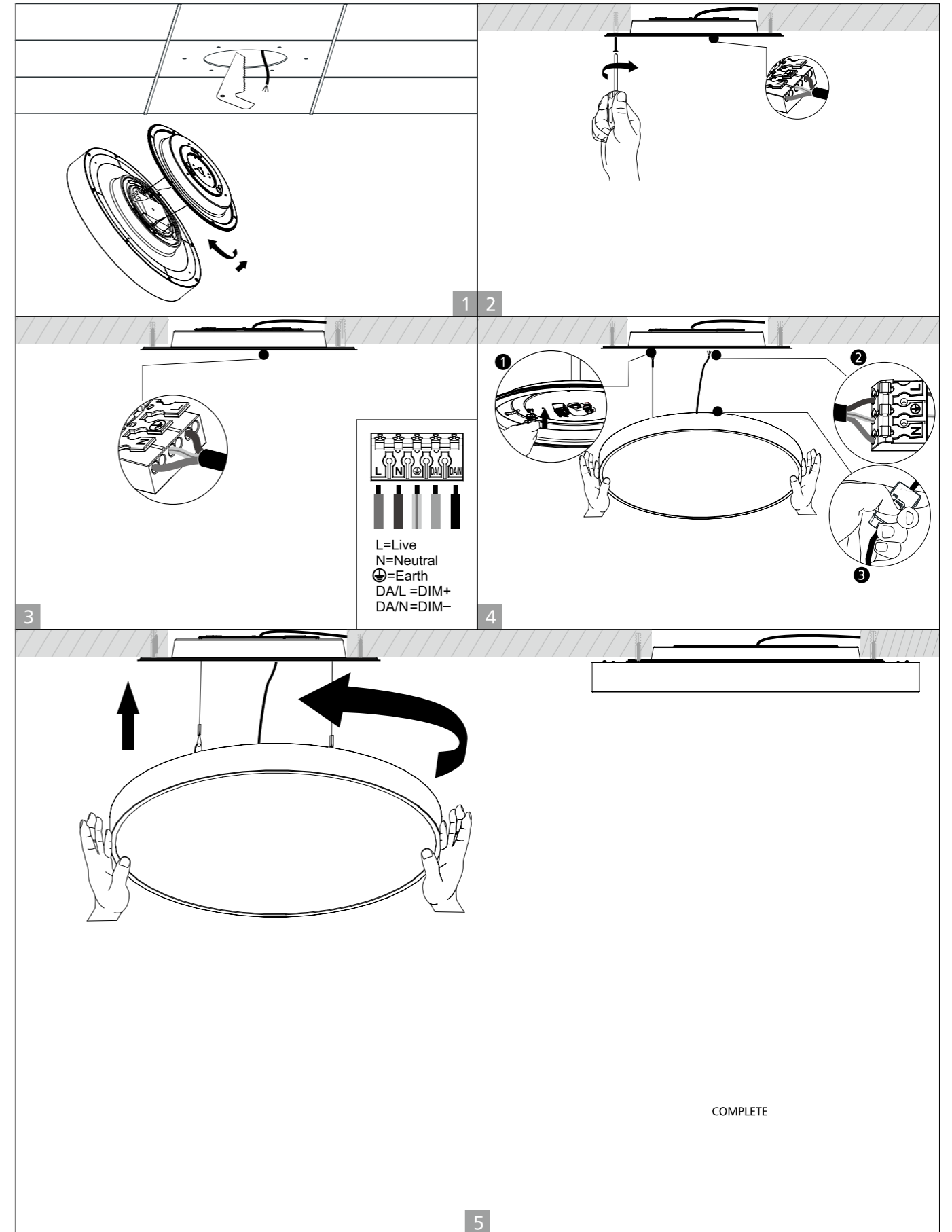


COMPLETE

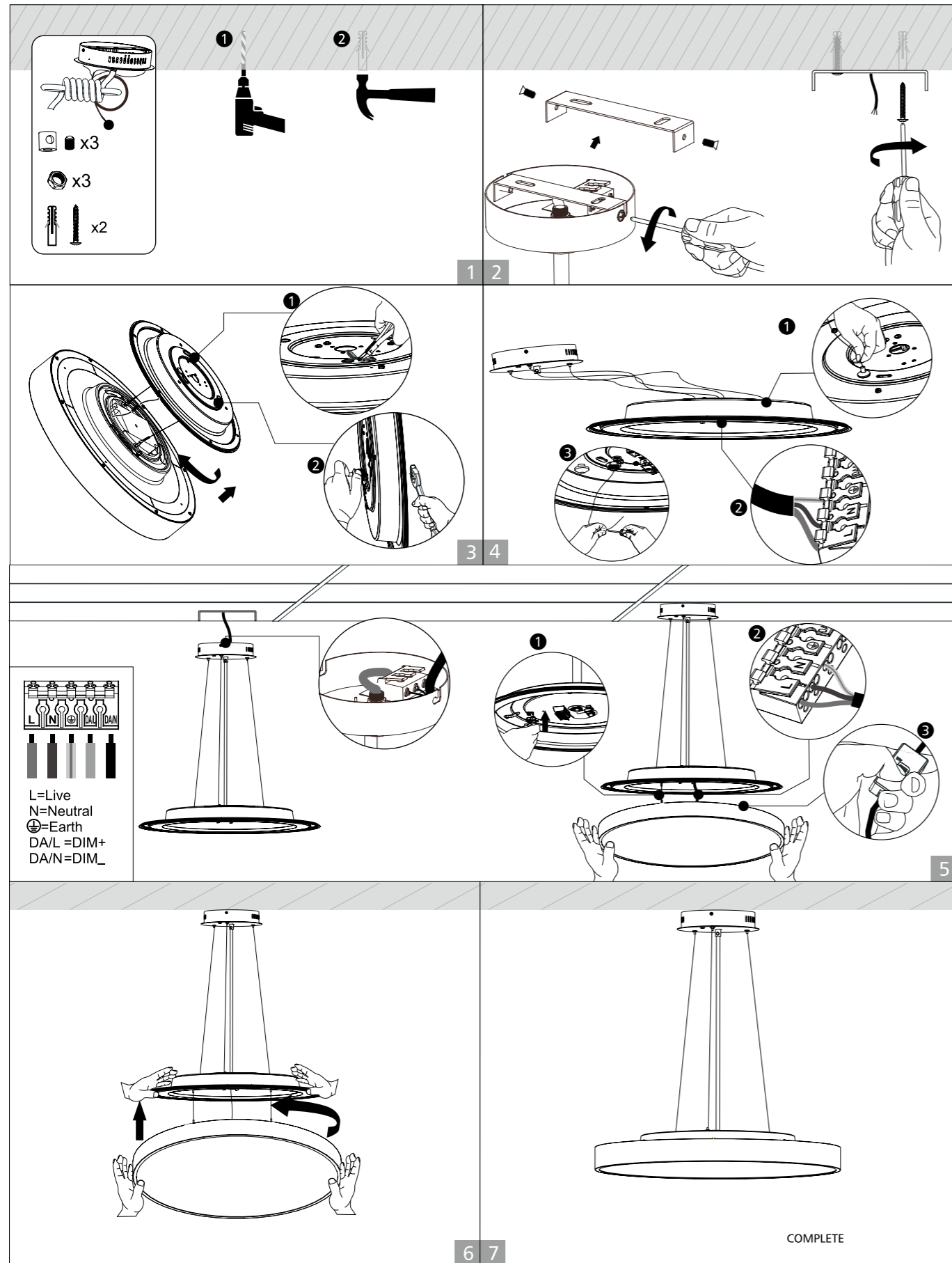
Surface Mount installation



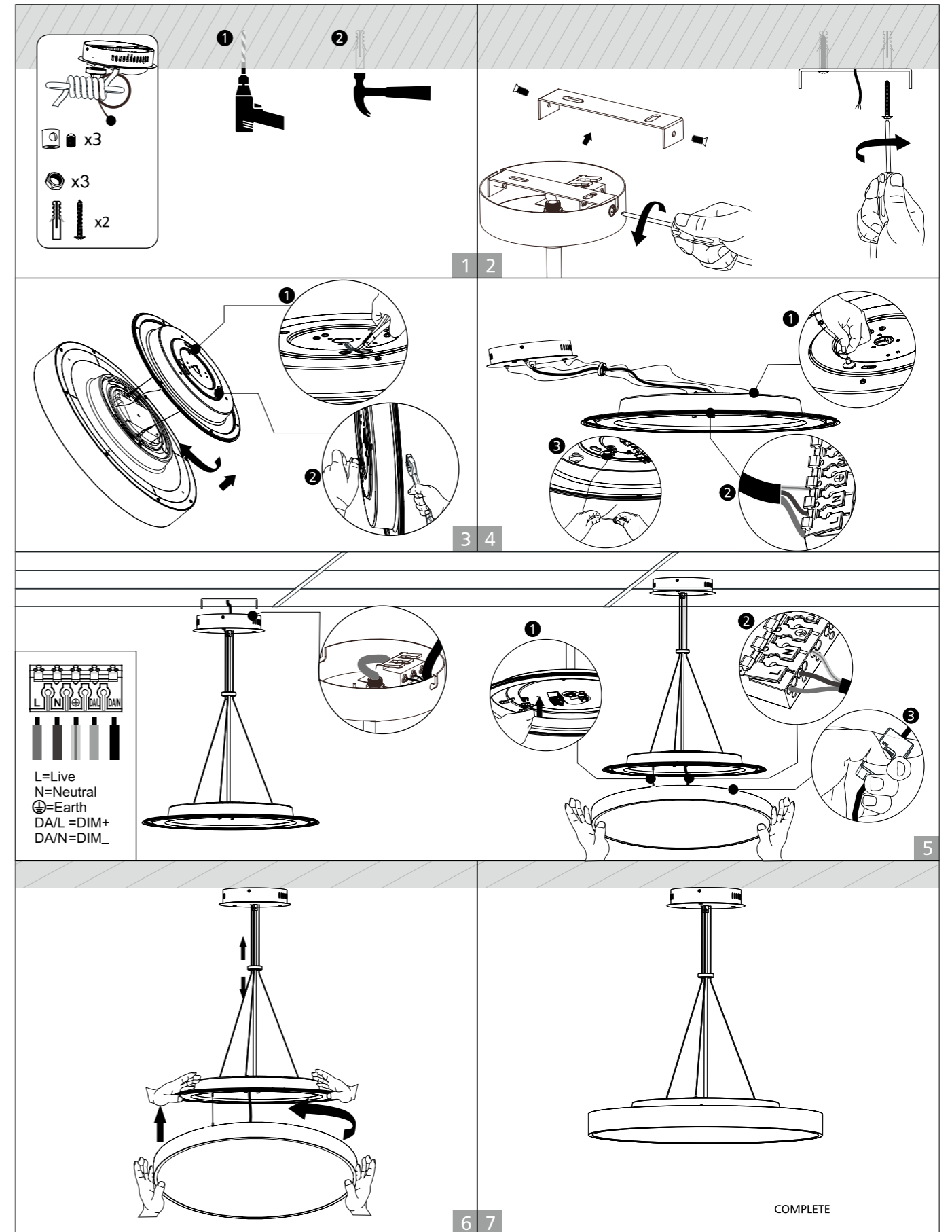
Recessed installation



With steel wire suspension installation



With wire harness suspension installation



**ECO**  
Specifications

**STD**  
Specifications

**PRO**  
Specifications

**ODM**  
Specifications

  
**INT**  
Intelligent

[www.ba-lighting.no](http://www.ba-lighting.no)  
post@ba-lighting.no Tlf: 37 16 04 00  
Adr.: Holthesvei 2, 4848 ARENDAL

**BA**  
LIGHTING