

Entry /ECO

Standard /STD

Professional/PRO

ODM & OEM

Intelligent/INT

2019

**STD**  
Specifications



R Quick junction box  
3Bit & 5Bit

**BA**  
LIGHTING

# Introduction

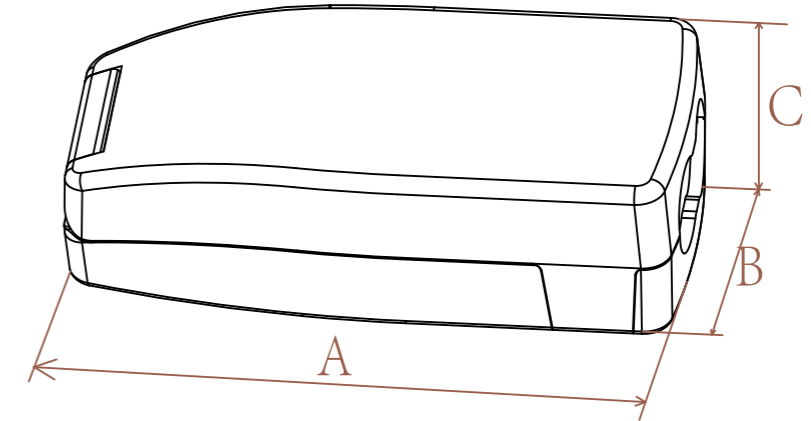
The junction box is a fire-rated PC material that protects the terminal insulation. Internal design with toothed buckle, press-type installation is very convenient.

## Features

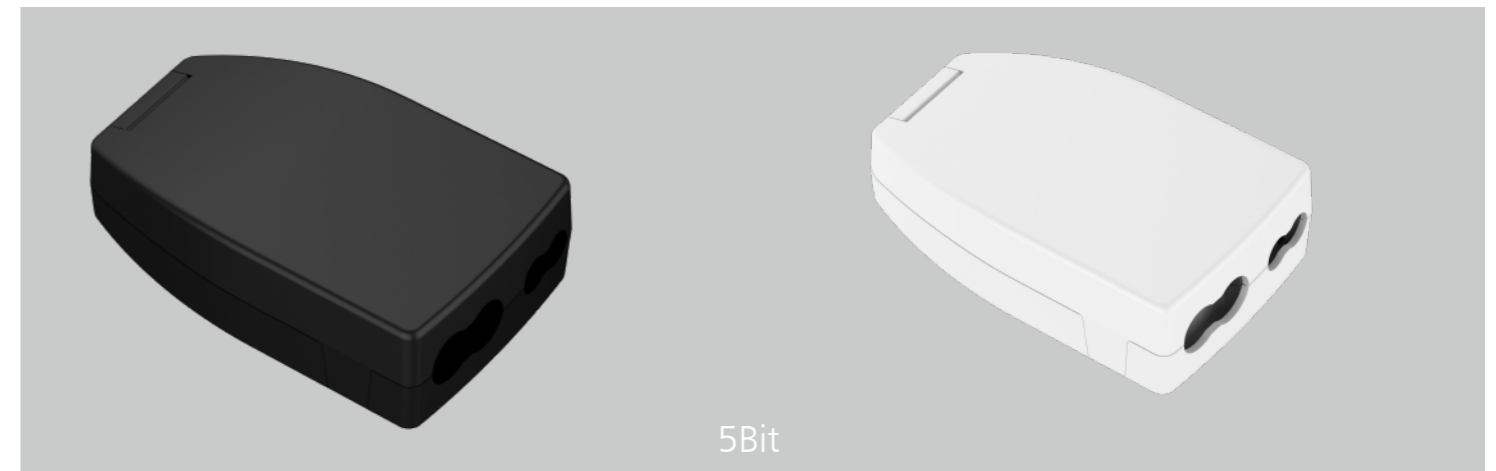
- Screwless terminal block and cord grip can realize a fast wiring.
- Loop in/out design, suitable for 2x0.75—3x2.5 wires.
- 25mm internal wiring distance, cord grip can lock the wire, safe and anti-pulling design.

## Measurement

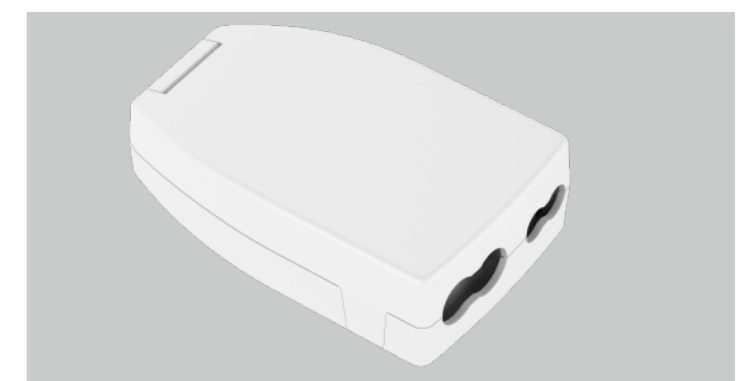
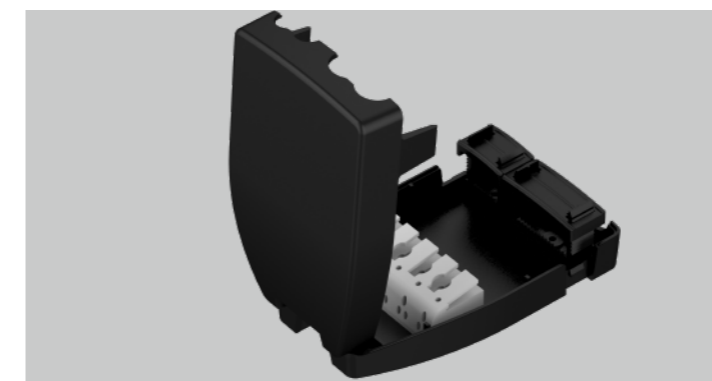
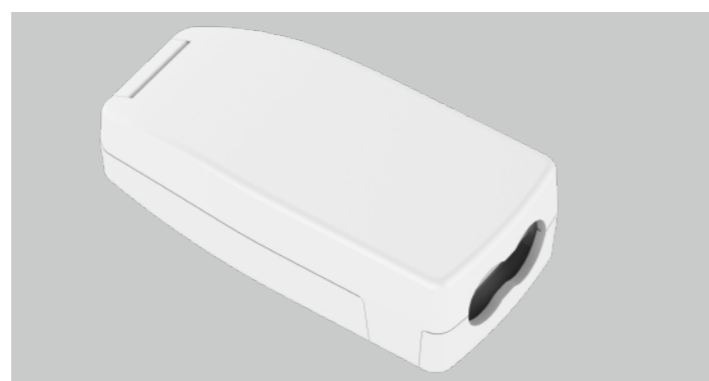
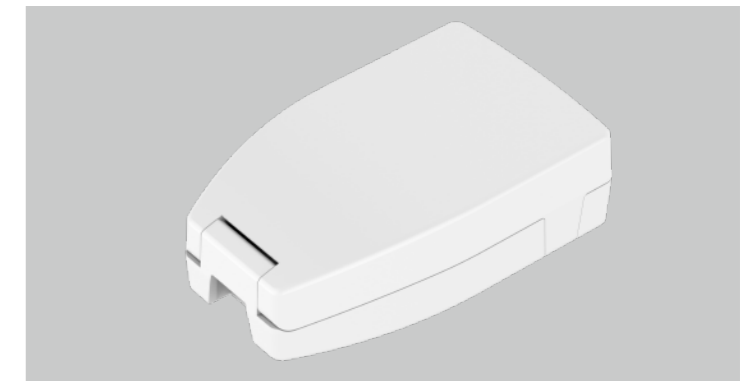
Code	Dimension(mm)				Size(mm)	Product Weight (Kg)		Package weight (Kg)		Carton Size(cm)	Qty/CTN	20GP (pcs)	40HQ (pcs)
	A	B	C	D		N.W/PC	G.W/PC	N.W/CTN	G.W/CTN				
3Bit	89.7	43	26		89.7*43*26	0.045	0.06	4.5	8	34.5*20.5*27	100	146400	337800
5Bit	110	68	33.5		110*68*33.5	0.08	0.11	4	7.5	40*25*22.5	50	63300	146600

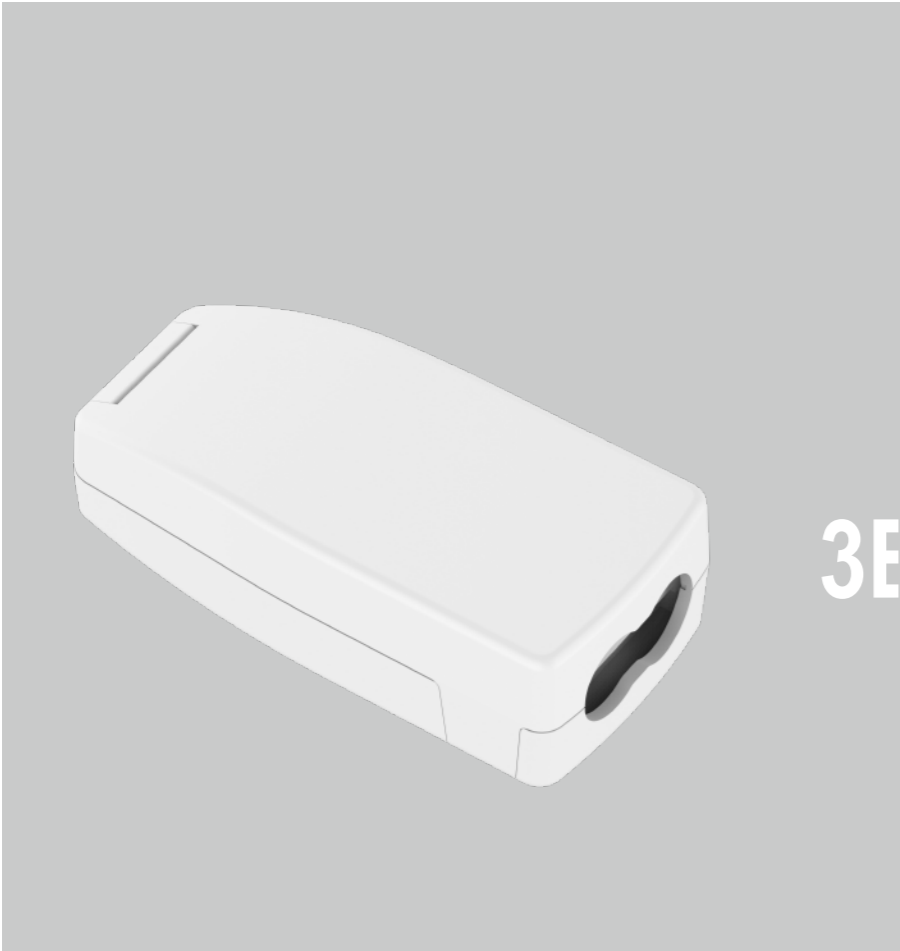


3Bit



5Bit

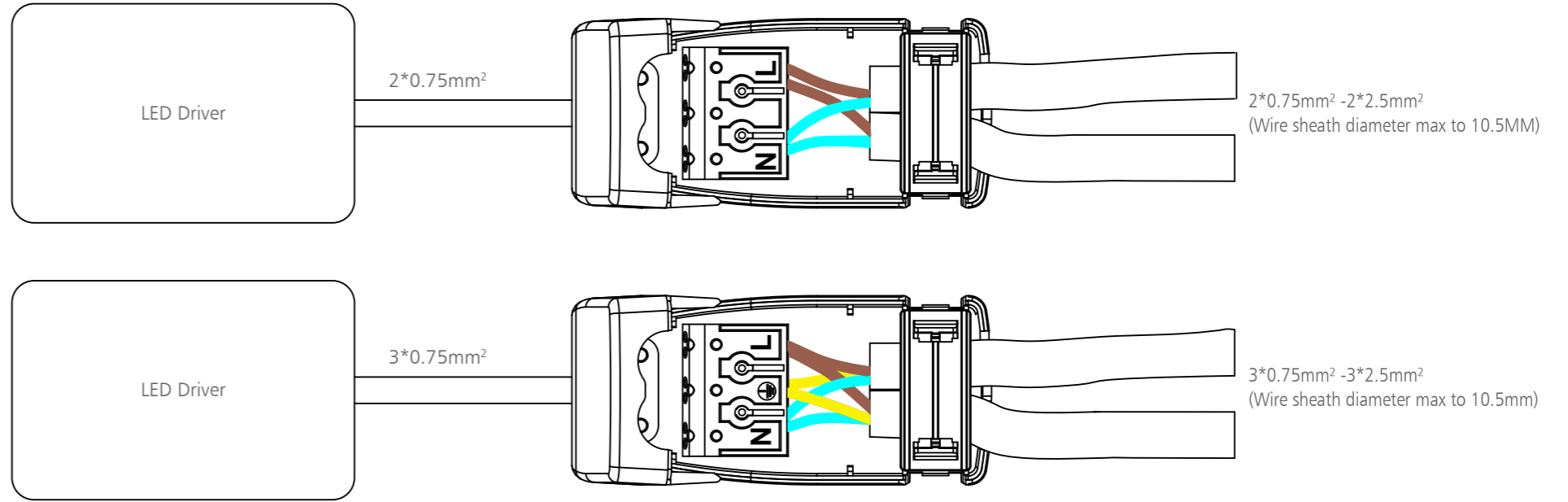




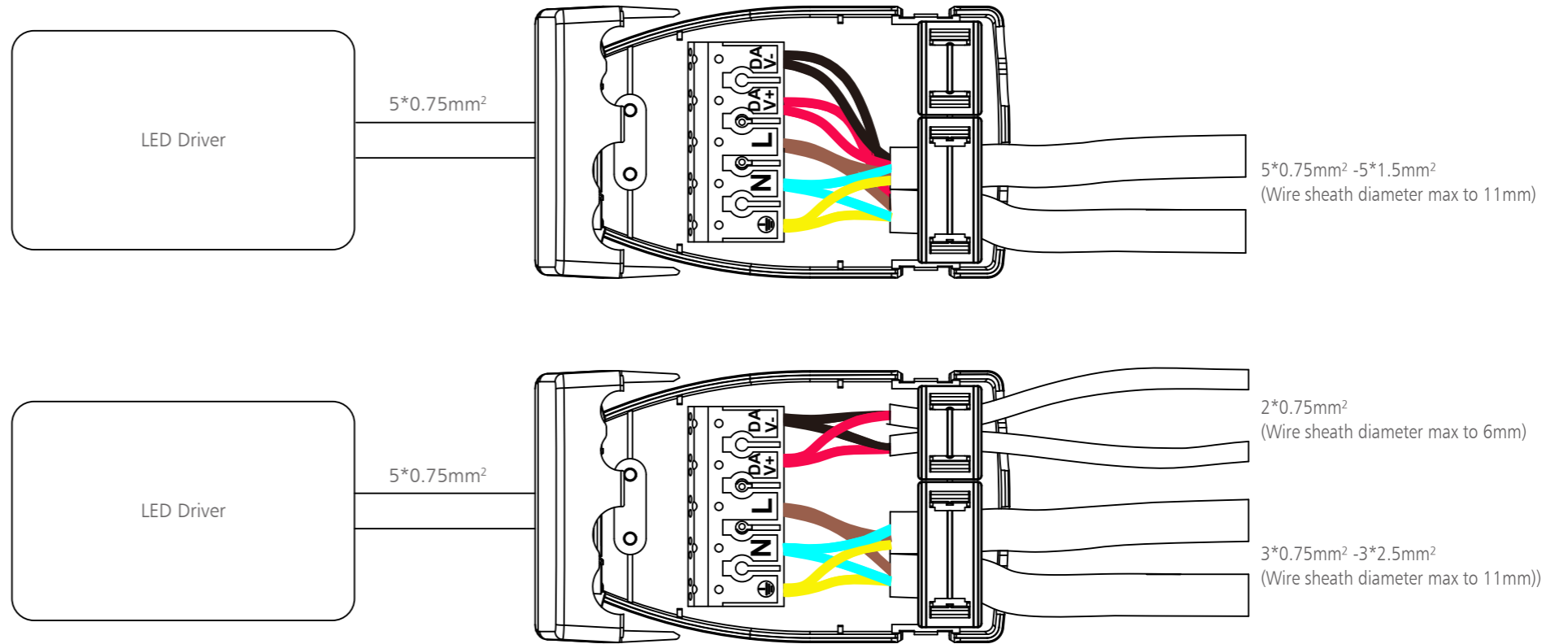
3Bit

### Wire connection way

Loop in/out and Loop in optional



5Bit



2019  
**ECO**  
Specifications

2019  
**STD**  
Specifications

2019  
**PRO**  
Specifications

2019  
**ODM**  
Specifications

2019   
**INT**  
Intelligent

**BA**  
LIGHTING

[www.ba-lighting.no](http://www.ba-lighting.no) [post@ba-lighting.no](mailto:post@ba-lighting.no) Tlf: 37 16 04 00

Adr: Holthesvei 2, 4848 Arendal